



THANKS FOR BUYING PROBLEM SOLVERS

MISMATCH 1.1 ADAPTERS!

Thanks for purchasing Problem Solvers MisMatch 1.1 Adapters. They allow you to mate SRAM shifters and Shimano brake levers on one clamp.

⚠ WARNING: CYCLING CAN BE DANGEROUS. BICYCLE PRODUCTS SHOULD BE INSTALLED AND SERVICED BY A PROFESSIONAL MECHANIC. NEVER MODIFY YOUR BICYCLE OR ACCESSORIES. READ AND FOLLOW ALL PRODUCT INSTRUCTIONS AND WARNINGS INCLUDING INFORMATION ON THE MANUFACTURER'S WEBSITE. INSPECT YOUR BICYCLE BEFORE EVERY RIDE. ALWAYS WEAR A HELMET.

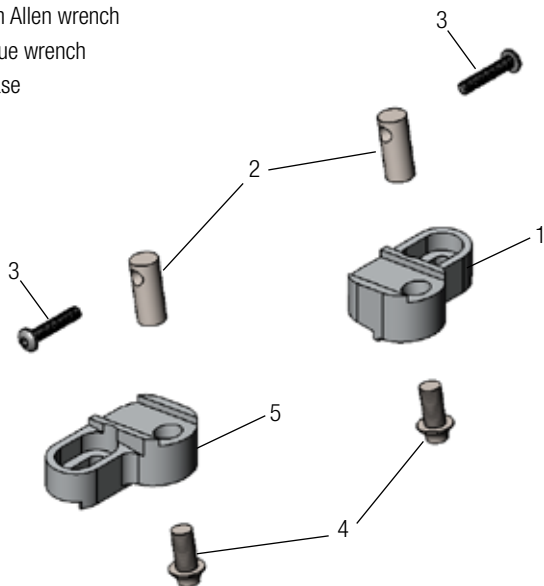
For additional technical and safety information, visit:
www.problemsolversbike.com/safety

COMPATIBILITY/INTENDED USE

Problem Solvers MisMatch 1.1 Adapters are compatible with Shimano I-Spec B brake levers (2014 and newer); and SRAM MatchMaker compatible shifters. They are not designed to attach anywhere else on the bike.

TOOLS REQUIRED

- 3mm Allen wrench
- Torque wrench
- Grease



ITEM NO.	DESCRIPTION	QTY.
1	MisMatch Adapter 1.1 - left	1
2	Barrel Nut	2
3	M3 x 16mm Retaining Bolt	2
4	M5 x 10mm Bolt	2
5	MisMatch Adapter 1.1 - right	1

INSTALLATION:

1. Install the brake lever as per the manufacturer's instructions.
NOTE: We've left the lever off the bar to better show the next step.
2. Insert the barrel nut (figure 1) and install the retaining bolt (figures 2 & 3). Tighten the retaining bolt to 2Nm.



Figure 1



Figure 2



Figure 3



3. Attach the MisMatch Adapter to the brake lever clamp using an 10mm M5 bolt and the 4mm hex wrench. Torque 4–5Nm (figure 4).



Figure 4

4. Attach the shifter to the MisMatch Adapter using the SRAM shifter (not included) bolt and the 4mm hex wrench. Torque 4–5Nm (figures 5 & 6).



Figure 5



Figure 6

5. Repeat these steps for the right side lever.

ONGOING MAINTENANCE

Periodically check to make sure attachment bolts are properly tightened to the handlebar.

A LIMITED 2-YEAR WARRANTY

PROBLEM SOLVERS™ warrants this new PROBLEM SOLVERS product against defects in materials and workmanship for two (2) years from the original date of retail purchase by the consumer. This limited warranty is expressly limited to the repair or replacement of the original product, at the option of PROBLEM SOLVERS, and is the sole remedy of the warranty. This limited warranty applies only to the original purchaser of the PROBLEM SOLVERS product and is not transferable.

In no event shall PROBLEM SOLVERS be liable for any loss, inconvenience or damage, whether direct, incidental or consequential or otherwise resulting from breach of any express or implied warranty or condition of merchantability, fitness for a particular purpose, or otherwise with respect to this product except as set forth herein. This warranty gives the consumer specific legal rights, and those rights and other rights may vary from state to state.

This warranty does not cover the following:

- Damage due to improper assembly or follow-up maintenance or lack of skill, competence or experience of the end user
- Products that have been modified, neglected, used in competition or for commercial purposes, misused or abused, involved in accidents or anything other than normal use
- Damage or deterioration to the surface finish, aesthetics or appearance of the Problem Solvers product
- Normal wear and tear
- Labor required to remove and/or refit and re-adjust the product within the bicycle assembly

TO THE EXTENT NOT PROHIBITED BY LAW, THESE WARRANTIES ARE EXCLUSIVE AND THERE ARE NO OTHER EXPRESS OR IMPLIED WARRANTIES OR CONDITIONS INCLUDING WARRANTIES OR CONDITIONS OF MERCHANTABILITY AND FITNESS FOR A PARTICULAR PURPOSE.