

## THANKS FOR BUYING A PROBLEM SOLVERS BOTTLE CAGE HEIGHT ADAPTER !

**⚠ WARNING:** CYCLING CAN BE DANGEROUS. BICYCLE PRODUCTS SHOULD BE INSTALLED AND SERVICED BY A PROFESSIONAL MECHANIC. NEVER MODIFY YOUR BICYCLE OR ACCESSORIES. READ AND FOLLOW ALL PRODUCT INSTRUCTIONS AND WARNINGS INCLUDING INFORMATION ON THE MANUFACTURER'S WEBSITE. INSPECT YOUR BICYCLE BEFORE EVERY RIDE. ALWAYS WEAR A HELMET.

For complete ASTM guidelines, and additional product safety information, please visit [problemsolversbike.com/safety](http://problemsolversbike.com/safety)

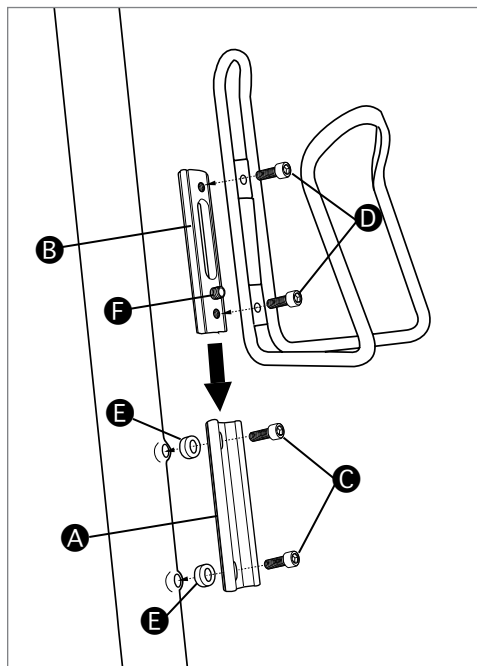
### COMPATIBILITY & INTENDED USE

The Problem Solvers Bottle Cage Height Adapter is compatible with any standard two-bolt bicycle water bottle cage mount, bottle cage and 21–28 oz bicycle water bottle. Check with frame manufacturer for compatibility.

**NOTE:** Maximum water bottle capacity is 28 oz.

### INCLUDED PARTS

- A. Fixed base plate (1)
- B. Sliding plate (1)
- C. 15mm hex bolts (2)
- D. 8mm hex bolts (2)
- E. 4mm spacers (2)
- F. 8mm grub screw (1)



### TOOLS

- 3 & 4mm hex wrenches
- Torque wrench

### INSTALLATION

1. Place the included 4mm spacers between your frame and the fixed base plate. Install the fixed base plate using the 15mm hex bolts. Using a 4mm hex wrench, torque the fixed base plate fixing bolts to 5Nm.
2. Apply blue thread-locking compound to the 8mm grub screw to prevent the screw from loosening and maintain the adjustment of the sliding plate.
3. Install sliding plate onto fixed base plate. Fix sliding plate in place using the 8mm grub screw. Using a 3mm hex wrench, torque grub screw to 7Nm.
4. Install your bottle cage onto the sliding plate using the 8mm hex head bolts. Torque bottle cage fixing bolts to 5Nm using a 4mm hex wrench.

### ONGOING MAINTENANCE

Inspect your Bottle Cage Height Adapter for signs of excessive wear, cracks, or other fatigue before every ride. Periodically check fixing bolts and grub screw to ensure proper torque. If you suspect your Bottle Cage Height Adapter has been damaged, return it to the shop where it was purchased to be inspected by a professional bicycle mechanic.

### WARRANTY PROCESS

If you and your shop think your Problem Solvers product is worthy of a warranty inspection, please return the product to the original place of purchase, accompanied by a sales receipt.

For complete warranty information, visit [problemsolversbike.com/safety](http://problemsolversbike.com/safety)