

MISMATCH ADAPTER KIT INSTRUCTIONS

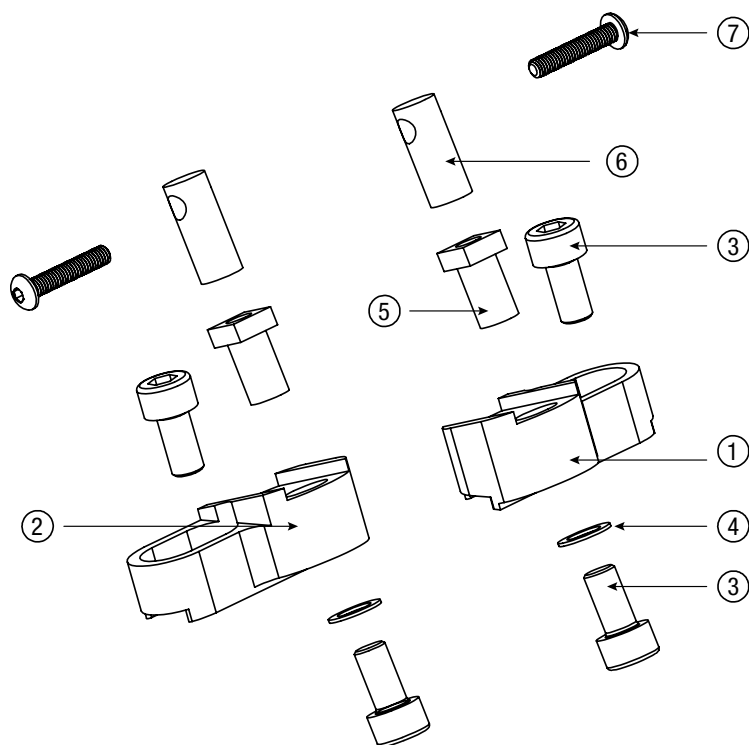


THANKS FOR PURCHASING A PROBLEM SOLVERS MISMATCH ADAPTER KIT!

We're always looking to provide the products that allow you to configure your bike any way you want. So if you wanted to mate your SRAM® shifters to your Shimano® hydraulic brakes, you've chosen the right product (Maybe. Better check the compatibility chart first).

⚠ WARNING: CYCLING CAN BE DANGEROUS. BICYCLE PRODUCTS SHOULD BE INSTALLED AND SERVICED BY A PROFESSIONAL MECHANIC. NEVER MODIFY YOUR BICYCLE OR ACCESSORIES. READ AND FOLLOW ALL PRODUCT INSTRUCTIONS AND WARNINGS INCLUDING INFORMATION ON THE MANUFACTURER'S WEBSITE. INSPECT YOUR BICYCLE BEFORE EVERY RIDE. ALWAYS WEAR A HELMET.

For additional technical and safety information, visit:
www.problemsolversbike.com/safety



Item #	Description	BR0392, Pair		BR0393, Right-Only	
		I-Spec-A	I-Spec-B	I-Spec-A	I-Spec-B
1	MisMatch Adapter, Left	1	1	N/A	N/A
2	MisMatch Adapter, Right	1	1	1	1
3	M5 x 10mm Bolt	2	2	1	1
4	M5 Washer	2	2	1	1
5	I-Spec-A Square Nut	2	N/A	1	N/A
6	I-Spec-B Barrel Nut	N/A	2	N/A	1
7	I-Spec-B Retaining Bolt	N/A	2	N/A	1

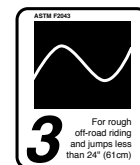


COMPATIBILITY

		Shifters			
		SRAM/Avid	Shimano I-Spec (aka I-Spec-A)	Shimano I-Spec-B	Shimano I-Spec-II
Brakes	SRAM/Avid	Use SRAM/Avid MatchMaker Clamp	BR0387/88	BR0391/92	BR0392/93
	Shimano I-Spec (aka I-Spec-A)	BR0385/86 (Discontinued)	Shimano I-Spec Integration Unit	Shimano I-Spec Integration Unit	Shimano I-Spec Integration Unit
		BR0394/95 (Current)			
	Shimano I-Spec-B	BR0389/90 (Discontinued)	Shimano I-Spec Integration Unit	Shimano I-Spec Integration Unit	Shimano I-Spec Integration Unit
		BR0394/95 (Current)			
Shimano I-Spec-II	BR0392/93	Shimano I-Spec Integration Unit	Shimano I-Spec Integration Unit	Shimano I-Spec Integration Unit	

INTENDED USE

MisMatch Adapters are intended for riding in ASTM Conditions 1 (road) and 2 (gravel roads, groomed trails), plus Condition 3—rough trails, small obstacles, and smooth technical areas. Jumps should be no more than 24" (61cm). It is NOT intended for jumping bikes or downhill use.



TOOLS

- 3, 4 and 5mm hex wrenches
- Torque wrench

INSTALLATION FOR SHIMANO I-SPEC-A BRAKE LEVERS:

1. Open the right brake lever clamp and insert the square nut with the round portion sticking through the clamp and the square portion facing in (figure 1).



Figure 1

2. Position and attach the brake lever according to Shimano's instructions (figure 2).



Figure 2

3. Attach the right MisMatch Adapter to the brake lever clamp using the included M5 x 10mm bolt and M5 washer (figure 3). Torque 4–5Nm.



Figure 3

4. Attach the shifter to the MisMatch Adapter using the included M5 x 10mm bolt (figure 4). Torque 4–5Nm.



Figure 4

5. Repeat these steps for the other lever assembly (if applicable).

INSTALLATION FOR SHIMANO I-SPEC-B BRAKE LEVERS:

1. Install the brake lever as per Shimano's instructions
2. Insert the barrel nut (figure 5) into the brake lever clamp and install the retaining bolt (figures 6 & 7). Tighten the retaining bolt to 2Nm.



Figure 5



Figure 6



Figure 7

3. Attach the MisMatch Adapter to the brake lever clamp using the included M5 x 10mm bolt and M5 washer (figure 8). Torque 4–5Nm.



Figure 8

4. Attach the shifter to the MisMatch adapter using the included M5 x 10mm bolt. (figures 9 & 10). Torque 4–5Nm.



Figure 9



Figure 10

5. Repeat these steps for the other lever assembly (if applicable).

ONGOING MAINTENANCE

Periodically check to make certain attachment bolts are properly torqued.